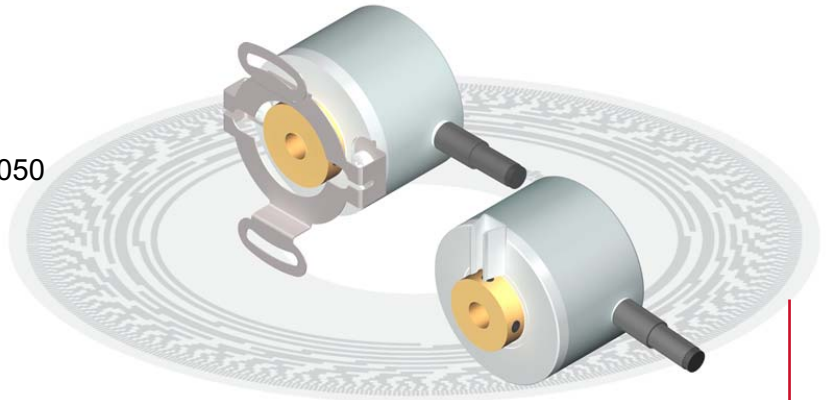


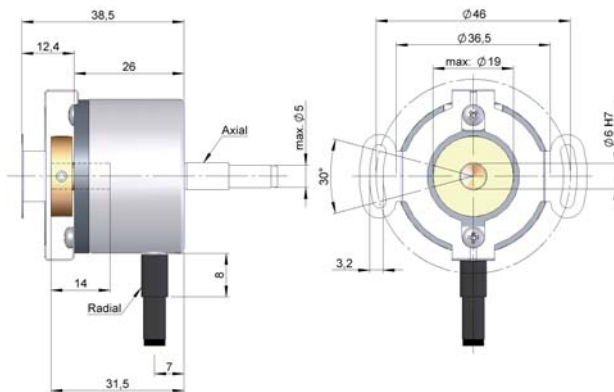
SERIE 22

BLIND HOLLOW SHAFT INCREMENTAL ENCODER FOR INDUSTRIAL APPLICATIONS

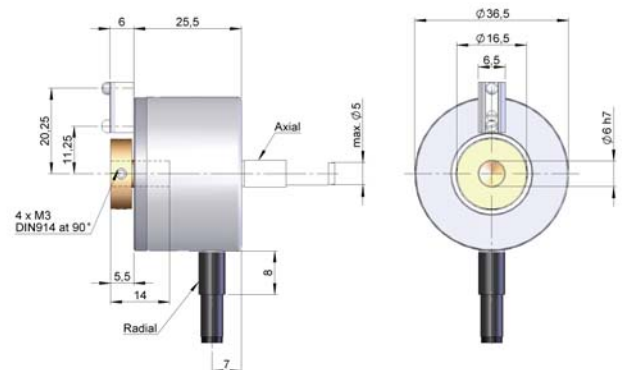
- Resolution up to 3600 pulses per turn
- External diameter 36,5 mm
- Blind hollow shaft up to 6 mm
- Protection class IP64 according to DIN 40050
- Cable connection (any cable length available) or industrial connector.
- Antirotation system through pin torque support and elastic flange



Elastic flange



Pin torque support



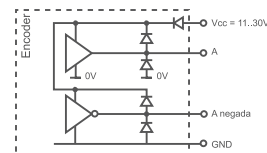
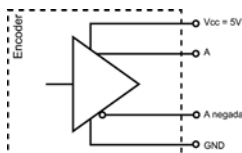
Previous mounting and installation of the encoder is recommended to read the section "TECHNICAL CONSIDERATIONS".

MECHANICAL SPECIFICATIONS

Housing	Aluminium.
Shaft	Brass / treated aluminium.
Bearings	Ballraces.
Bearings lifetime	1x10 ¹⁰ rev.
Body fixing	Elastic flange or pin torque support.
Blind hollow shaft diameter	6 mm.
Maximum number of revolutions permitted mechanically	6000 rpm.
Protection against dust and splashes according to DIN 40050	IP64.
Rotor inertia moment	2 gcm ² .
Starting torque at 20°C (68°F)	Máx 0,5 Ncm.
Maximum load permitted on axial shaft	Max. 15 N.
Maximum load permitted on radial shaft	Max. 15 N.
Weight aprox.	0,1 Kg.
Operating temperature range	-20°C to +80°C.
Vibration	100 m/s ² (10Hz...2000Hz).
Shock	1000 m/s ² (6ms).
Maximum pulses per turn	10.000
Axial or radial cable	Cable 2 metres

ELECTRICAL SPECIFICATIONS

OUTPUT SIGNALS



	RS422 (TTL compatible)	Push-Pull Differential
Power supply	5 V \pm 5%	11...30 V
Consumption	Typical: 70 mA Max: 150 mA	Typical: 45 mA Max: 150 mA
Max. load capability	\pm 20 mA	\pm 30 mA
Length of cable allowed	1200 m	100 m
"Low" signal level	$V_{OL} < 0,5 V$	$V_{OL} < 2,5 V$
"High" signal level	$V_{OH} > 2,5 V$	$V_{OH} > V_{CC} - 3 V$
Frequency	300 kHz	200 kHz
Short circuit protection	Yes	Yes
Protection against polarity inversion	No	Yes
Channel A leads (90° electric) channel B		

CONNECTION

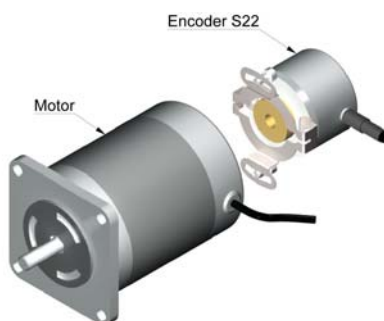


	Cable 5x0,14	Cable 8x0,14
GND	White	White
Vcc	Brown	Brown
A	Green	Green
B	Yellow	Grey
A inverted		Yellow
B inverted		Rose
0 (reference)	Grey	Blue
0 inverted	Grey	Red

ORDERING CODE

SERIE	ANTIROTATION SYSTEM	OUTPUT SIGNALS	CONNECTION	ELECTRONIC OUTPUT	PULSES NUMBER	SPECIAL CUSTOMER
22	● 1- Elastic flange 2- Pin torque support	● 3- A + B + 0 7- AA + BB + 00	● 1- Axial cable 2- Radial cable	● 1- Differential line driver. Push-Pull 11..30V 2- Standard RS422. 5V	●●●●●●●●	●●●●●●●●

ACCESSORIES



All the accessories available in the sections "SIGNAL CONDITIONERS" and "MOUNTING ACCESSORIES".