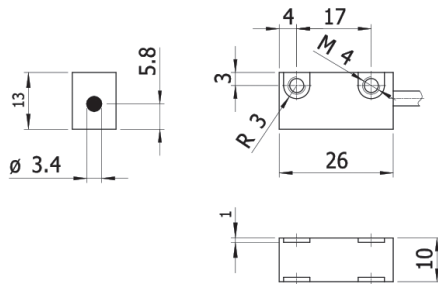
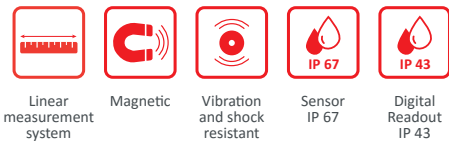




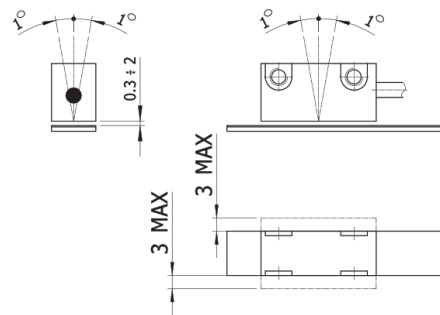
# SERIE VIMS

## DIGITAL READOUT WITH MAGNETIC SENSOR

- Magnetic detection without contact
- Easy assembly
- One axis Digital Readout with 6 ½ digit LCD and negative sign
- Programmable resolution
- Accuracy  $\pm 20 \mu\text{m}$
- Polar pitch 2+2
- Wide alignment tolerances
- Magnetic Sensor of small overall dimensions
- External or integrated reference signal
- Connection by cable (other cable length available)



Drawing VIMS sensor dimensions



### REFERENCE

Reference example: VIMS-2BM02

Serie	Pole pitch	Power supply	Connection	Special customer
VIMS -	<input type="checkbox"/>	<input type="checkbox"/>	<input type="checkbox"/> <input type="checkbox"/> <input type="checkbox"/>	<input type="checkbox"/> <input type="checkbox"/>
	2. 2+2 mm	B. batteries (*)	M02. 2 meter cable	

(\*) External power supply (1,5...5 V) available, upon request.

### BAND REFERENCE

Serie

CSM

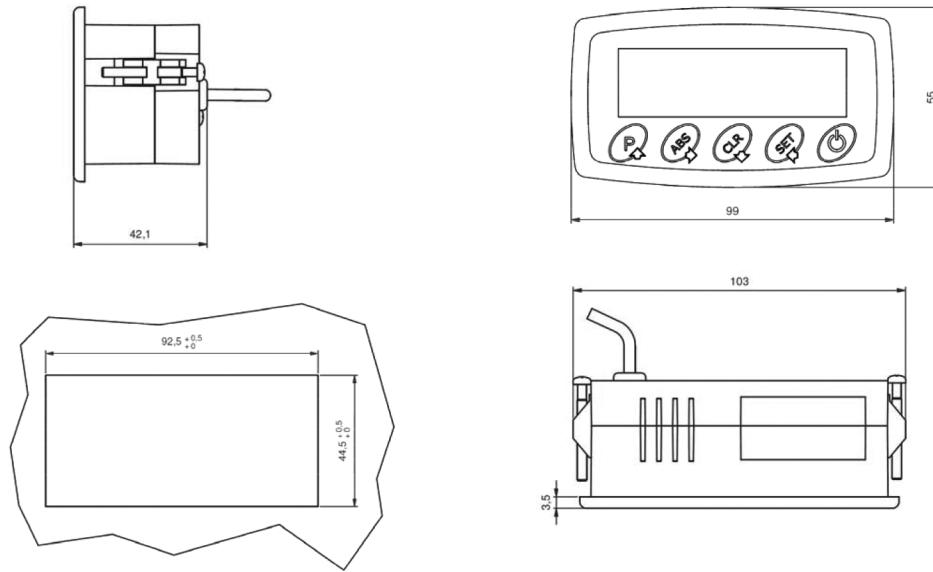
Band length:  mm

For a better protection of magnetic band from shavings, liquid sprinklings, powder, etc. we suggest to always use the stainless steel cover PS, already equipped with a double-sided adhesive tape, or the aluminium support AP (see accessories).



# SERIE VIMS

## DIGITAL READOUT WITH MAGNETIC SENSOR



Drawing VIMS digital readout dimensions

### MECHANICAL AND ELECTRICAL SPECIFICATIONS

Display	6 ½ digits LCD h = 13 mm and negative sign
Programmable resolution	1.0 - 0.1 - 0.05 - 0.01 mm 0.01 - 0.001 - 1/16 - 1/32 - 1/64 inch 1° - 0.1° - 0.01° - 0.001° angular
Repeatability	± 1/2 digit
Power supply	1 bat. LR6 AA
Operating temperature range	0 to +50°C
Storage temperature range	-20° to +70°C
Humidity	95% (not condensed)

### READOUT

Weight	100 g
Vibration (EN 60068-2-6)	25 m/s <sup>2</sup> (55Hz...2000Hz)
Protection class (EN 60529)	IP 43

### CABLE - 6 cores Ø 3,4 mm

Minimum bending radius	25 mm
Length	2 m

### SENSOR SPECIFICATIONS

Maximum speed	4 m/s
Sensor - magnetic band gap	0,3...2 mm
Accuracy	± 20 µm
Magnetic band to be used with – pole pitch	CSM (2+2mm)
Vibration (EN 60068-2-6)	300 m/s <sup>2</sup> (55Hz...2000Hz)
Shock (EN 60068-2-27)	1000 m/s <sup>2</sup> (11 ms)
Protection class (EN 60529)	IP 67

# SERIE VIMS

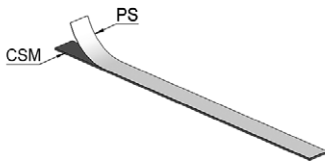
## DIGITAL READOUT WITH MAGNETIC SENSOR

### BAND SPECIFICATIONS

Pole pitch	2+2 mm
Accuracy at 20°C	±30 µm/m
Width band	10 mm
Thickness band	1,3 mm
Maximum length	50 m
Thermal expansion	$10,5 \times 10^{-6} \text{ }^\circ\text{C}^{-1}$ T ref = 20°C ± 0,1°C
Bending radius	≥ 130 mm
Operating temperature range	-10 to 70°C
Storage temperature range	-20 to 80°C

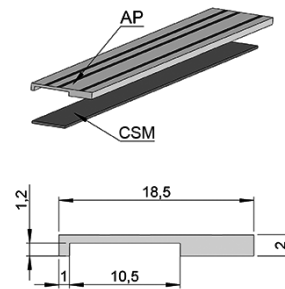
### ACCESSORIES


**PS:** Cover for band protection



Stainless steel cover for protection.  
To be placed in the magnetic band (10 mm width - 0.3 mm thickness).

**AP:** Aluminium support



 It is not possible to use the support AP if the magnetic band is already covered by PS band protection.

### INSTALLATION AND HANDLING

1. Degrease the surface you want to place the magnetic band by using alcohol and dry it carefully.
2. Place the band and keep it aligned with the reader head ensuring the magnetic part is just next to the sensor.
3. Place the cover PS or the support AP, if provided.
4. The max. adhesion will be achieved after 48 hours from sticking.
5. Keep other magnetic parts clear from the tape.
6. Store and roll up the tape keeping the magnetic strip on the outside, in order to avoid tensions.

### WARNING

#### WHAT TO AVOID

1. All mechanical reworks (Cutting, drilling, face milling a.s.o.).
2. All mishandling.
3. Impacts and external stress.
4. Exposure to external magnetic fields.

